

Quad Track Jarraff SPECIFICATIONS

ELECTRICAL SYSTEM

- Power Requirements
- 12V - DC

BOOM, SAW HEAD, WINCH & PUSH BLADE

- Boom Construction - High-tensile, non-conductive fiberglass
- Saw Blade Diameter - 24 inches (610 mm)
- Saw Blade RPM - 3200 RPM
- Push Blade - 8 feet wide, hydraulically powered
- Winch - 20,000 lb winch (9072 kg); 150 feet (45.7 m) of 5/8 inch (16 mm) cable included with chain and hook

OPERATIONAL CAPACITIES

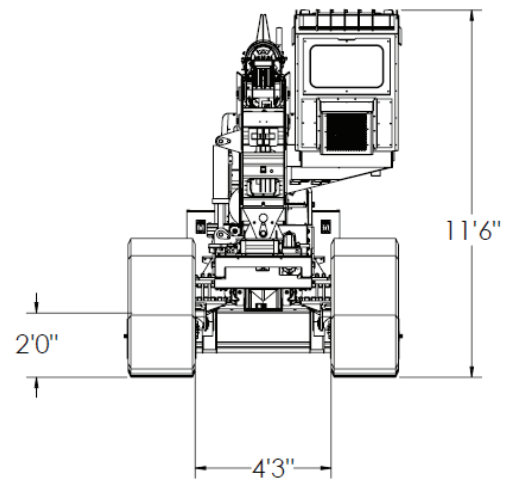
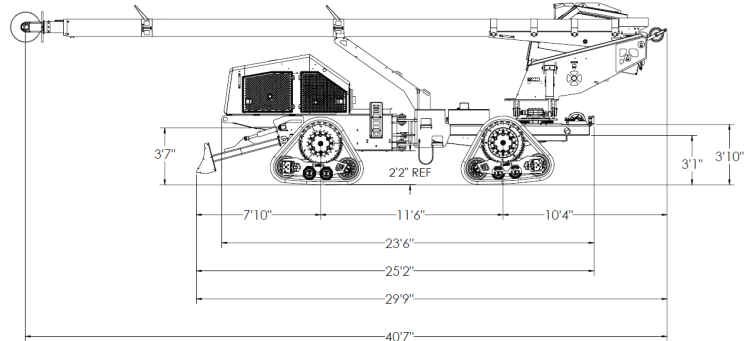
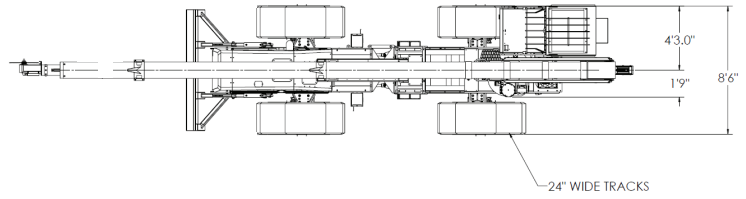
- Maximum Cutting height - 75 feet (22.9 m)
- Rotation - 360° on turntable
- Rotation - 180° on boom
- Controls - Joysticks

PHYSICAL SPECIFICATIONS

- Traveling Length - 41 feet 7 inches (12.67 m)

	Quad Track Model
Undercarriage	Articulation
Weight	28,650 lbs (12,995 Kg) Full Wet Weight
Ground Pressure	5.1 PSI (0.34 Bar)
Width	8 feet 6 inches (2.62 m)
Carrier Length	25 ft (7.62 m)
Height	11 feet 6 inches (3.51 m)

Quad Track Jarraff SPECIFICATIONS



JARRAFF
Industries, Inc.

JARRAFF.COM | 800-767-7112

